

# H3 series 4-5 t

Internal Combustion Counterbalanced Forklift Truck





# H3 series 4-5t

Internal Combustion Counterbalanced Forklift Truck

## Technical features remarkably improved

### ↓ Damping

- > With suspension damping structure on overhead guard and optimized design for the transmission, the whole truck's vibration reduced a lot and relieve driver's fatigue greatly

### ↓ Noise reduction

- > Equipped with optimize designed parts around the engine, noise nearby ear and the truck sound level are reduced greatly

### ↓ Heat dissipation

- > With the optimized cooling system and great cooling performance, highly improved the reliability and durability of the transmission and engine, etc, many key parts.



### ↑ Efficiency

- > With more power and low emission engine, stronger loading capacity, higher gradeability; With load sensing hydraulic system, quicker lifting speed, higher working efficiency

### ↑ Reliability

- > Strengthen and Optimize designed core structure parts, strength improved greatly; with intelligent gear shifting technology to avoid 2nd-gear start, improved transmission life

### ↑ Comfort

- > Intelligent gear shifting system, ease of operation  
Standard half surrounded seat, safety and comfort

### ↑ Maintainability

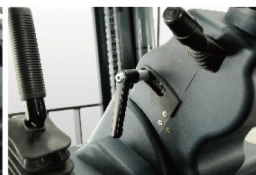
- > Wider internal space, more reasonable parts layout and 80° hood opening angle make maintenance easy



Intelligent gear shifting



Ratchet type parking brake



Steering wheel locking mechanism



Easy maintenance



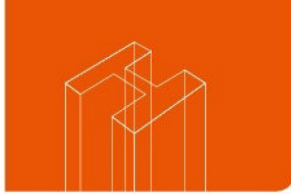
SALES, SERVICE, PARTS

Jl. Inspeksi Kalimantan KM. 22 Blok A Gudang A-01, Cibuntu, Bekasi - 17530

Telp : +628195555969

Email : thubastunggalperkasa@gmail.com

Website : www.thubastunggalperkasa.co.id

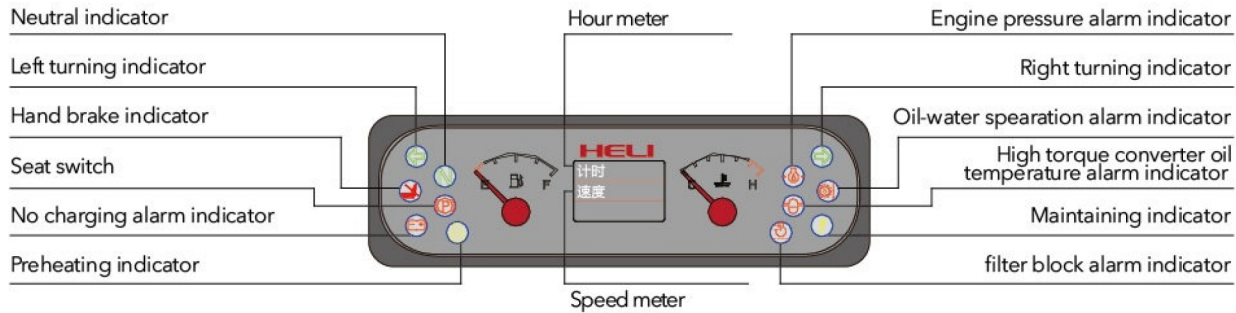


# H3 series 4-5t

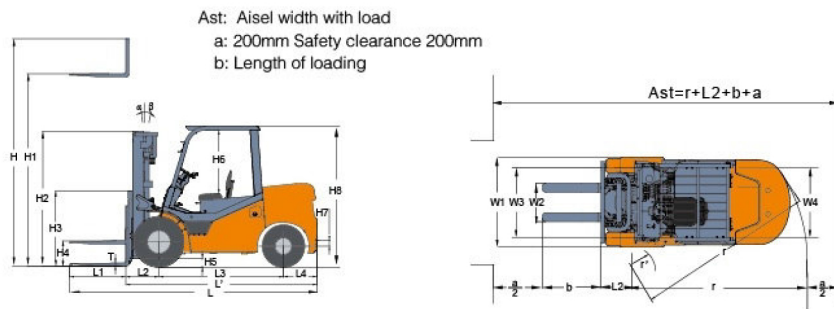
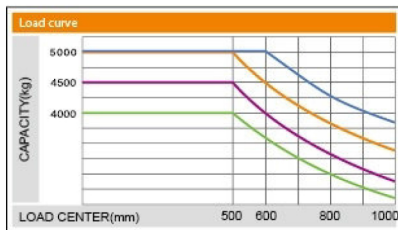


## Internal Combustion Counterbalanced Forklift Truck

### Reliable special designed instrument



CPCD40 CPD45 CPD50 CPD50S



### Engine Model and Main Specification for Option

Configuration No.		YN1H(S)	WX7H	QC5H(S)	XC7H	M4H	KU1H(S)
Battery(voltage/capacity)	v/Ah	24/80					12/120
Brand/Model		Yunnei YN4EL099	Xichai 4DX23-82GG3U	Quanchai 4C6-85U32	Xinchang 4D35ZG31	Mitsubishi S6S	KUBOTA V3800
Rated power/rotating speed	KW/rpm	70/2200	60/2200	62.5/2200	60/2200	52/2300	61.6/2200
Rated torque/rotating speed	Nm/rpm	400/1700	320/1400-1700	320/1800	300/1600-1800	260/1700	310/1600
Cylinder number(bore x stroke)		4-102X115	4-102X118	4-98X115	4-98X115	6-94X120	4-100X120
Displacement	L	3.76	3.85	3.47	3.47	4.996	3.769
Engine fuel tank capacity	L	90					
Number of gears(fwd/bwd)		2-1 power shift					
Emission		CHINA STAGE III					

Note:(S) means load center 600mm Model

### Standard configuration

- Horn
- Control valve
- Wholly hydraulic-powered steering
- Half surrounded seat
- Backrest
- Rear view mirror
- Front combined lamp
- Transmission oil filter
- Engine flame out device
- Ratchet type parking brake
- Driver's tools
- Power brake
- Rear combined lamp
- Reversing buzzer
- Tilt-lock valve
- Tilt adjustable steering column
- Overhead guard rain cover
- Standard fork
- Integration electric box
- Hydraulic circuit oil filter
- Speed-limiting valve
- Wide view mast
- Air intaking device
- Durable tire with decorative pattern

- Lifting and tilting operation handles
- Traction pin
- Head lamp
- Hydraulic oil dipstick
- Overhead guard
- Torque converter oil dipstick
- Combined instrument
- Electric-hydraulic direction changing

### Optional

- Driver's cab
- Warning light
- High air exhausting device
- Double air cleaner
- Suspension seat
- Fork extension
- Heater
- Solid tyre
- Widen fork carriage
- Wind shield
- Cleansing muffler
- Fire extinguishing muffler
- Fire extinguisher muffler

- Rear working light
- Air condition(certain type)
- OPS(travelling control system)
- Torque converter oil temperature meter
- Tilting cylinder protection cover
- User-specified color
- Optional attachments
- Double-tyre and protected device
- Rotating seat for LPG
- Over speed alarm
- Counter weight protective screening
- Rear View Camera

- Overhead guard top rain glass
- SAE standard
- Engine hood locking
- Thin-point type fork
- Soundproof and noise reducing device
- Universal key
- Radiator protected screening
- Tractor pin with mild steel safeguard
- Overspeed alarm device
- High temperature resistant device
- Fuel tank with lock
- Weighting device
- Cab with skylight

# Manufacturer and technical parameters



SALES, SERVICE, PARTS



Character		HELI			
1.01	Manufacturer	HELI			
1.02	Model	CPCD40	CPCD45	CPCD50	
1.03	Configuration No.	YN1H(S) / WX7H / QC5H(S) / XC7H / M4H / KU1H(S)			
1.04	Power type	Diesel			
1.05	Rated capacity	kg	4000	4500	5000
1.06	Load center	mm	500	500	500 600
1.07	Driving mode	Sit-type			

Dimensions					
2.01	Mast height,extended (with backrest)	(H)mm	4250		
2.02	Mast height,lowered	(H1)mm	3000		
2.03	Mast overall height(Fork to the ground and mast be vertical)	(H2)mm	2275		
2.04	Mast height,extended(with backrest)	(H3)mm	1250		
2.05	Free lift height	(H4)mm	150		
2.06	Min.Ground clearance(from bottom of mast)	(H5)mm	175		
2.07	Overhead guard clearance (from face of seat)	(H6)mm	1020		
2.08	Traction pin center height	(H7)mm	380		
2.09	Overall gurd height	(H8)mm	2350		
2.10	Overall length(with fork/without fork)	(L/L')mm	4310/3240	4310/3240	4460/3240 4525/3305
2.11	Front overhang	(L2)mm	560		565
2.12	Wheelbase	(L3)mm	2100		
2.13	Rear overhang	(L4)mm	580	580	580 640
2.14	Overall width	(W1)mm	1510		
2.15	Lateral fork adjustment (outside of fork)(Max./Min.)	(W2)mm	1330/300		
2.16	Tread(Front/Rear)	(W3/W4)mm	1230/1190		
2.17	Min.Turning radius(external)	(r')mm	215		
2.18	Min.Turning radius(internal)	(r)mm	2930	2930	2930 2990
2.19	Min.right angle stacking aisle width	(Ast)mm	4760	4760	4760 4910
2.20	Mast tilting angle(Front/Rear)	(α / β)mm	6° / 12°		
2.21	Fork size	(L1xW1)mm	1070x150x50	1070x150x50	1220x150x50 1220x150x55

Performance					
3.01	Max.Travelling speed(loaded/unloaded)	km/h	23/24		
3.02	Lifting speed(loaded/unloaded)	mm/s	530/570		
3.03	Lowering speed(loaded/unloaded)	mm/s	<600 / >300		
3.04	Max.Draw bar(loaded/unloaded)	KN	28/20		
3.05	Max.Gradeability(loaded/unloaded)	%	20/16		

Wheel and tyre					
4.01	Wheel number X=drive wheel(front/rear)	Front two rear two (Double tyre front four rear two)			
4.02	Tyre type(front/rear)	Pneumatic tyre			
4.03	Tyre size(front/rear)	8.25-15-14PR 7.00-12-12PR	300-15-18PR 7.00-12-12PR	300-R15 (315/70R)	300-R15 (315/70R)
4.04	Double tyre zise(front/rear)	8.25-15-14PR / 7.00-12-12PR			
4.05	Service brake	Hydraulic-foot pedal			
4.06	Parking brake	Mechanical-hand brake lever			

Weight					
5.01	Weight	kg	6540	6740	7000 7250

WIDE VIEW MAST										
Mast model	Max. lifting height	Load capacity (load center 500mm)(kg)			Mast height, lowered(mm)	Mast tilting angle (°)α / β	Service weight (kg)			
		CPCD40	CPCD45	CPCD50			CPCD40	CPCD45	CPCD50	CPCD50**
M260	2600	4000	4500	5000	2075	6° / 12°	6510	6710	6970	7220
M270	2700	4000	4500	5000	2125	6° / 12°	6520	6720	6980	7230
★M300	3000	4000	4500	5000	2275	6° / 12°	6540	6740	7000	7250
M330	3300	4000	4500	5000	2425	6° / 12°	6560	6760	7020	7270
M350	3500	4000	4500	5000	2525	6° / 12°	6580	6780	7040	7290
M370	3700	4000	4500	5000	2625	6° / 12°	6590	6790	7050	7300
M375	3750	4000	4500	5000	2650	6° / 12°	6600	6800	7060	7310
M400	4000	4000	4500	5000	2825	6° / 6°	6610	6810	7070	7320
M425	4250	3800 *4000	4300 *4500	4700 *5000	2950	6° / 6°	6670	6870	7130	7380
M450	4500	3700 *4000	4200 *4500	4500 *5000	3075	6° / 6°	6680	6880	7140	7390
M475	4750	3500 *3700	4000 *4200	4250 *4600	3200	6° / 6°	6700	6900	7160	7410
M500	5000	3200 *3400	3600 *4000	4000 *4200	3325	6° / 6°	6720	6920	7180	7430
M550	5500	2900 *3200	3200 *3600	3600 *3900	3575	3° / 6°	6730	6930	7190	7440
M600	6000	2600 *2900	3000 *3200	3300 *3600	3825	3° / 6°	6750	6950	7210	7460

Note: (1)\*stands for the rated capacity when the front tyre is double-tyre.(2)★stands for standard configuration.(3)\*\*stands for load center 600mm model.

WIDE VIEW FULL FREE 2-STAGE MAST											
Mast model	Max. lifting height	Load capacity (load center 500mm)(kg)			Mast height, lowered(mm)	Free lift (with backrest)(mm)	Mast tilting angle (°)α / β	Service weight (kg)			
		CPCD40	CPCD45	CPCD50				CPCD40	CPCD45	CPCD50	CPCD50**
ZM261	2610	4000	4500	5000	2110	530	6° / 12°	6615	6815	7075	7325
ZM271	2710	4000	4500	5000	2160	580	6° / 12°	6640	6840	7100	7350
ZM300	3000	4000	4500	5000	2305	725	6° / 12°	6690	6890	7150	7400
ZM330	3300	4000	4500	5000	2455	875	6° / 12°	6705	6905	7165	7415
ZM350	3500	4000	4500	5000	2555	975	6° / 12°	6715	6915	7175	7425
ZM375	3750	4000	4500	5000	2680	1100	6° / 12°	6730	6930	7190	7440
ZM400	4000	4000	4500	5000	2805	1225	6° / 6°	6745	6945	7205	7455
ZM450	4500	3700 *4000	4200 *4500	4500 *5000	3055	1475	6° / 6°	6770	6970	7230	7480
ZM500	5000	3200 *3400	3600 *4000	4000 *4200	3305	1725	6° / 6°	6805	7005	7265	7515
ZM550	5500	2900 *3200	3200 *3600	3600 *3900	3555	1975	3° / 6°	6830	7030	7290	7540
ZM600	6000	2600 *2900	3000 *3200	3300 *3600	3805	2225	3° / 6°	6855	7055	7315	7565

Note: (1)\*stands for the rated capacity when the front tyre is double-tyre.(2)free lifting height without lift-bracket +325mm.(3)\*\*stands for load center 600mm model.

WIDE VIEW FULL FREE 3-STAGE MAST											
Mast model	Max. lifting height	Load capacity (load center 500mm)(kg)			Mast height, lowered(mm)	Free lift (with backrest)(mm)	Mast tilting angle (°)α / β	Service weight (kg)			
		CPCD40	CPCD45	CPCD50				CPCD40	CPCD45	CPCD50	CPCD50**
ZSM392	3920	3840 *4000	4350 *4500	4800 *5000	2250	650	6° / 6°	6880	7080	7340	7590
ZSM435	4350	3500 *3800	4100 *4300	4400 *4800	2395	795	6° / 6°	6900	7100	7360	7610
ZSM450	4500	*3500	*4200	*4600	2445	845	6° / 6°	6920	7120	7380	7630
ZSM470	4700	3250 *3400	3800 *4000	4050 *4200	2515	955	6° / 6°	6940	7140	7400	7650
ZSM480	4800	3150 *3300	3700 *3900	3950 *4100	2545	990	6° / 6°	6950	7150	7410	7660
ZSM500	5000	3050 *3200	3400 *3700	3800 *4000	2645	1040	6° / 6°	6970	7170	7430	7680
ZSM540	5400	2750 *3000	3000 *3400	3500 *3600	2760	1165	6° / 6°	7010	7210	7470	7720
ZSM600	6000	2400 *2500	2800 *3000	3150 *3400	3010	1405	3° / 6°	7090	7290	7550	7800

Note: (1)\*stands for the rated capacity when the front tyre is double-tyre.(2)free lifting height without lift-bracket +325mm.(3)\*\*stands for load center 600mm model.